



For Economical Material Transport

Paus Dump Truck - Manoeuvrable and Robust Material Transport in Underground Mining



Compact Design



Various Dumper Systems available



Driver's Seat rotates 180°



Front Axle Suspension



Maintenance friendly



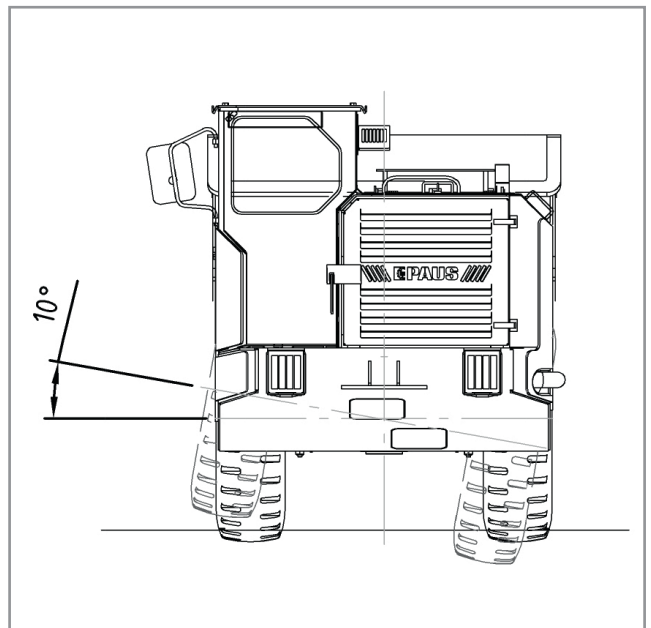
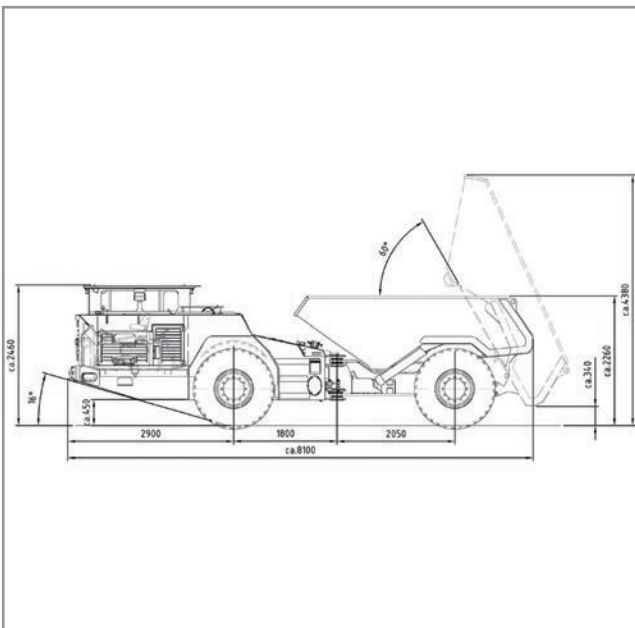
Paus PMKS Pushwall Version



Explosion-proof Design

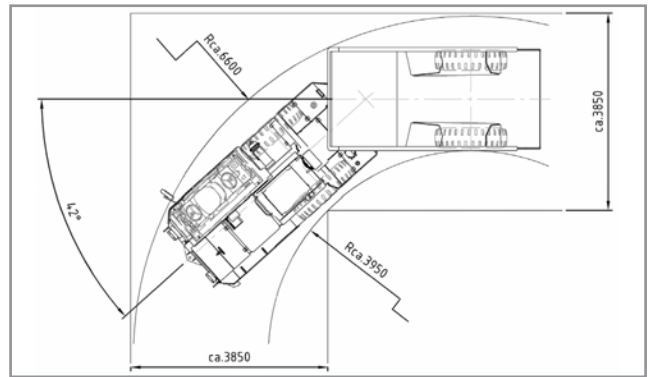
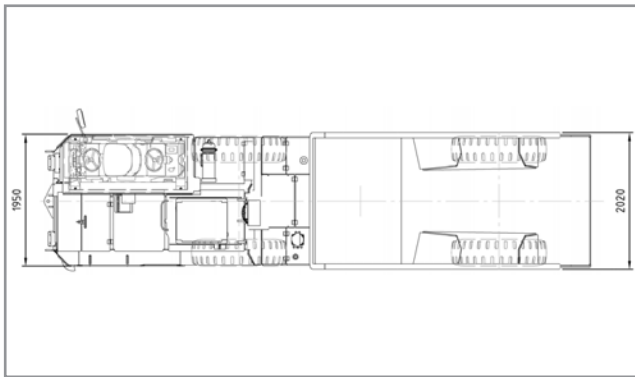


Worldwide, permanently trained service with our dealer network



Technical Data

Paus Dumper PMKM - All Dumpers also available with Sliding Wall



	PMKM 8010*	PMKM 8030*	PMKM 10010*	PMKS 12000
Payload	17 t	16 t	22 t	27 t
Dump box volume heaped	8.0 m ³	8 m ³	11.5 m ³	14 m ³
Standard Operating Weight	17 t	17 t	22 t	26 t
Front axle load, loaded (standard)	16.5 t	16.5 t	21 t	22 t
Rear axle load, loaded (standard)	19 t	19 t	25 t	31 t
Engines	Caterpillar, Mercedes Benz, different exhaust stages	Cummins, Caterpillar, Mercedes Benz, different exhaust stages	Caterpillar, Mercedes Benz, different exhaust stages	Cummins, Caterpillar, Mercedes Benz, different exhaust stages
Performance	up to 173 kW	up to 170 kW	up to 227 kW	up to 280 kW
Chassis	Articulated oscillation steering, with oscillating front axle			
Drive Unit	Hydrodynamic drive, "full power shift"			
Axles	Kessler D81	Dana 17D	Kessler D81	Kessler D91
Tires	14.00 R 24	16.00 R 25	16.00 R 25	18.00 R 25
Speeds	up to 25 km/h	up to 30 km/h	up to 25 km/h	up to 25 km/h
Lifting Time	11.0 s	11.0 s	13.0 s	13.0 s
Tipping Time	10.0 s	10.0 s	11.0 s	11.0 s
Standard Operating Temperature	-20°C up to +40°C			
Permissible Longitudinal Gradient	max. 35%			
Standard Operating Altitude Above Sea Level	< 1.500 m			
Dimensions A	mm	9.350 mm	9.000 mm	
B	mm	2.980 mm	2.980 mm	
C	mm	1.716 mm	1.716 mm	
D	mm	2.910 mm	2.665 mm	
E	mm	340 mm	mm	
F	mm	2.450 mm	2.500 mm	
G	mm	4.650 mm		
H	mm	2.450 mm	2.450 mm	
I	mm	440 mm	440 mm	
J	mm	4.500 mm	4.300 mm	
K	mm	4.500 mm	4.250 mm	
L	mm	7.650 mm	7.350 mm	

All machines are also available with CE marking, further variants and options are available on request.

Data Sheet PMKM833844201904_GB Subject to change without notice. Illustrations partly with optional extras. * Available as version for tunnels