



PG 10 HA

Compact grading machine for use in underground mining

- High tractive force
- Good visibility with a comfortable cab
- Optimized machine performance and lower operating costs
- Simple and intelligent operation
- Durable, robust machine construction

Technical data

5520-01-000 - 17.02.2025

DEFINITION OF OPTION / OPTIONAL EQUIPMENT

13667-2

In the following, the selectable equipment of the machine is identified by the terms "option" or "optional equipment."
The option describes equipment that can be selected in addition to the standard machine.
The optional equipment describes equipment that replaces other equipment on the machine.

- Travel drive switches to neutral position
- Parking brake is activated

MAIN FEATURES OF THE MACHINE

13281-2

Compact grading machine for use in underground mining

- Hydraulically actuated center moldboard with wear-resistant, replaceable main and side blades
- Flat cab construction with optimized view of the center moldboard

SAFETY EQUIPMENT

14097-2

All machines are designed and manufactured in accordance with the applicable legal requirements. They offer a correspondingly high level of safety for users.

Some safety equipment at a glance:

- ROPS/FOPS protective roof
- Locking battery master switch
- EMERGENCY STOP button: 1x in driver's platform, 1x outside
- Engine start warning with start delay
- Acoustic reversing signal
- 3-point safety entry
- Emergency exit
- Non-slip and color-contrasting entrances and exits
- Articulated joint lock

The following happens automatically when the driver is absent:

12998-5

OPERATING CONDITIONS

Permitted environment temperature * -20 °C to +40 °C

** Observe the cold-start limit temperature of the engine*

Permitted longitudinal gradient, maximum 35 %

Operating altitude without reduction in power, maximum < 1,500 m

13282-2

WEIGHTS AND LOADS

Operating weight * 10,500 kg

Permitted front axle load, maximum 5,000 kg

Permissible rear axle load, maximum 7,500 kg

** Depending on selected options and optional equipment*

13283-3

CHASSIS

Swivel angle, maximum ±10°

- Split chassis with articulated steering and steering axle
- Fixed rear axle and oscillating front axle
- Front and rear towing lugs
- Transport lugs for assembly and shaft transport
- Additional weight on front frame *

** Can be replaced or supplemented by options.*

Technical data

5520-01-000 - 17.02.2025

ENGINE

13284-6

CUMMINS QSB 4.5-C160 T3 diesel engine

Manufacturer	CUMMINS
Type	QSB 4.5-C160 T3
EU emissions stage	Stage III A
Emissions stage USA	EPA Tier 3
USA certification	MSHA
Canada certification	CANMET
Output At speed	127 kW 2,500 rpm
Alternator	24 V 95 A
Starter motor	24 V 7.8 kW
Cold start limit temperature	-15 °C

- Catalytic converter with measuring points
- Fuel prefilter and fuel fine filter with water separator
- Dry air filter with pre-filter
- Liquid-cooled

ENGINE (OPTIONAL EQUIPMENT)

13493-5

CUMMINS B 4.5L diesel engine

Manufacturer	CUMMINS
Type	B 4.5L
Emissions stage EU	Stage V
Emissions stage USA	EPA Tier 4
Output At speed	123 kW 2,200 rpm
Alternator	28 V 100 A
Starter motor	24 V 4 kW

Cold start limit temperature	-15 °C
Exhaust gas aftertreatment	DOC DPF SCR

- Catalytic converter with measuring points
- Fuel prefilter and fuel fine filter with water separator
- Dry air filter with pre-filter

FUEL SYSTEM

13286-1

Fuel tank capacity	170 L
--------------------	-------

- Electrical fill level indicator
- Shut-off valve to protect against fuel leakage in case of hose rupture

TRAVEL DRIVE

13287-1

Forward speed, maximum	20 km/h
Reverse speed, maximum	20 km/h
Tractive force, maximum	70 kN
Gradeability, maximum	35 %

- Hydrostatic propel drive
- Drive reversible under load
- All-wheel drive

AXES

11327-4

Manufacturer	DANA
Front axle type	212
Front axle differential	Open
Rear axle type	112
Rear axle differential	Lockable, 100 %

Technical data

5520-01-000 - 17.02.2025

SERVICE BRAKE

11330-3

- Hydraulic foot brake as 2-circuit external force brake system
- Oil-immersed multi-disk brakes

- Inspection glasses for min/max indication
- Temperature sensor
- Electrical fill level monitoring
- All fittings as JIC version

PARKING BRAKE

11332-1

- Spring-applied, hydraulically released (SAHR)
- Hand pump to release the brake in case of system failure

HYDRAULICS (OPTIONAL)

13376-1

- Hand pump for filling the hydraulic fluid reservoir
- Electric pump for filling the hydraulic fluid reservoir

EMERGENCY BRAKE

11333-1

- One circuit of the service brake

ELECTRICS

12243-6

Supply voltage	24 V
Number of batteries	2 pcs.
Battery voltage	12 V
Battery charge	110 Ah

TIRES

13247-1

Tire size	12.00x20
Tire filling	Air

ELECTRICS (OPTIONAL)

12822-3

- Jump start socket
- Enhanced sealing of the connectors with grease filling and sealing tape

TIRES (OPTIONAL EQUIPMENT)

13248-1

Tire size	12.00x20
Tire filling	PUR

STEERING

13235-1

- Hydraulic articulated steering with a double-acting cylinder
- Joystick steering
- Emergency steering

HYDRAULICS

11335-2

Hydraulic tank capacity	110 L *
<i>* depending on selected options</i>	

Technical data

5520-01-000 - 17.02.2025

LIGHTING

13310-2

All headlights and lamps as LED variants:

- Two headlights for road illumination, one each for low and high beam
- Two rear tail lights, with reversing light, parking light, brake light and turn signals
- Parking light and front turn signal
- Four front lights on the cab roof for the close-range area
- Four rear lights on the cab roof for the close- and long-range area, automatically activated in reverse gear
- Two headlights to illuminate the main moldboard
- Two yellow strobes

- Reversing camera system
- All driving-related switches and controls within easy reach of the operator

LIGHTING (OPTIONS)

13560-1

- Turn signal lights red / green
- Two additional work lights to illuminate the center moldboard

DRIVER'S STAND

13465-6

Driver's seat

- Lap belt
- synthetic leather cover
- Adjustable backrest and seat cushion
- Height adjustable

Open cab

- Open cab with hatch
- Emergency exit
- Front window with laminated safety glass
- Rear and side windows with single-pane safety glass
- Wiper/washer system for windshield
- Ventilation for windshield
- Interior lighting
- Document box
- Two exterior mirrors

DRIVER'S PLATFORM (OPTIONAL EQUIPMENT)

13312-7

Driver's seat

- 3-point seat belt
- Head rest
- synthetic leather cover
- Adjustable backrest and seat cushion
- Height adjustable
- ARMREST

Closed cabin

- Closed cab with door and sliding windows
- Emergency exit, right
- Heating
- Front window with laminated safety glass
- Rear and side windows with single-pane safety glass
- Wiper/washer system for windshield and rear window
- Ventilation for windshield
- Interior lighting
- Document box
- Two exterior mirrors
- Reversing camera system
- All driving-related switches and controls within easy reach of the operator
- 1-DIN installation slot for radio or two-way radio unit, compliant with DIN ISO 7736 and ISO 10487

DRIVER'S PLATFORM (OPTIONAL)

13559-5

- Reversing signal, can be acknowledged
- Air conditioning system
- Driver's seat contact switch
- Driver's seat belt contact switch
- Brake test function
- Tire pressure monitoring

Technical data

5520-01-000 - 17.02.2025

WORK EQUIPMENT

13471-1

Center moldboard 3 m

Working width	3,055 mm
Displacement range	+/-500 mm
Height	500 mm
Working depth, maximum	310 mm
Cutting angle, maximum	41-62 °
Swinging angle, maximum	+/-45 °

Ripper hook

Working width	1,500 mm
Number of teeth	5 pcs.

- Towing frame with hydraulic height adjustment, mounted behind the front axle
- Replaceable teeth

12818-5

FIRE PROTECTION

- Handheld fire extinguisher (TOTAL) with 9 kg of dry extinguishing agent

WORK EQUIPMENT (OPTIONAL EQUIPMENT)

13473-1

Center moldboard 2.5 m

Working width	2,500 mm
Displacement range	+/-500 mm
Height	500 mm
Working depth, maximum	310 mm
Cutting angle, maximum	41-62 °
Swinging angle, maximum	+/-45 °

FIRE PROTECTION (OPTIONAL EQUIPMENT)

12993-3

- HRD fire-extinguishing system (PROTECFIRE) with manual release and dry extinguishing agent
- HRD fire-extinguishing system (PROTECFIRE) with automatic release and dry extinguishing agent
- HRD fire-extinguishing system (ANSUL) with manual release and liquid agent
- HRD fire-extinguishing system (ANSUL) with automatic release and liquid agent
- Portable fire extinguisher (ANSUL) with 7.7 kg of dry extinguishing agent

WORK EQUIPMENT (OPTIONAL)

13476-3

- Extension piece for center moldboard 375 mm
- Center moldboard blade with hard metal pins
- Center moldboard float position, electrically switched
- Center moldboard suspension

PAINTWORK

13450-1

Driver's platform color	RAL 7016
Chassis color	RAL 1007
Drive components color	RAL 9005

Front dozer blade

Working depth	80 mm
Working width	2,100 mm

- Hydraulic height adjustment
- Mechanical parallel guide

ACCESSORIES

12249-5

- Two wheel chocks
- Two triangular safety reflectors
- Tool kit with bag
- Safety helmet and ear protection
- First aid kit

ACCESSORIES (OPTIONS)

- Spare wheel
- Expanded tool set
- Holder for escape apparatus
- Central lubrication system

DOCUMENTATION

11344-3

- A printed operating manual in the local language in the document box
- Operating instructions, spare parts list and wiring diagrams in electronic form via online access

DOCUMENTATION (OPTIONAL)

12825-4

- An additional operating manual in local language, in printed form, included with the machine
- A spare parts list in local language or English, in printed form

MAINTENANCE PACKAGES (OPTIONAL EQUIPMENT)

12824-3

- Service package, 2000 operating hours
- Service package, 3000 operating hours
- Service package, 5000 operating hours

PAUS CONNECT CLOUD (OPTIONAL)

11355-8



The PAUS CONNECT CLOUD collects and visualizes data, messages or location information of the machine.

The data is transmitted to the cloud using a built-in telemetric unit.

Your advantages:

- Faster service
- Life cycle cost management
- data transmission via existing WLAN and/or mobile phone networks
- intermediate storage of all data in the absence of connectivity (up to 30 days)
- Access to the PAUS CONNECT CLOUD
- remote diagnosis/remote maintenance
- statistical application evaluation
- vibrational monitoring
- individual evaluations and statistics

CUSTOMER SERVICE

11353-2

Repair work and maintenance work are central points in customer care. Here, PAUS is broadly positioned and offers its customers and dealers worldwide an extensive service program. Trained employees are available on our service hotline, as are competent contacts at our local dealers.

11354-2

SPARE PARTS

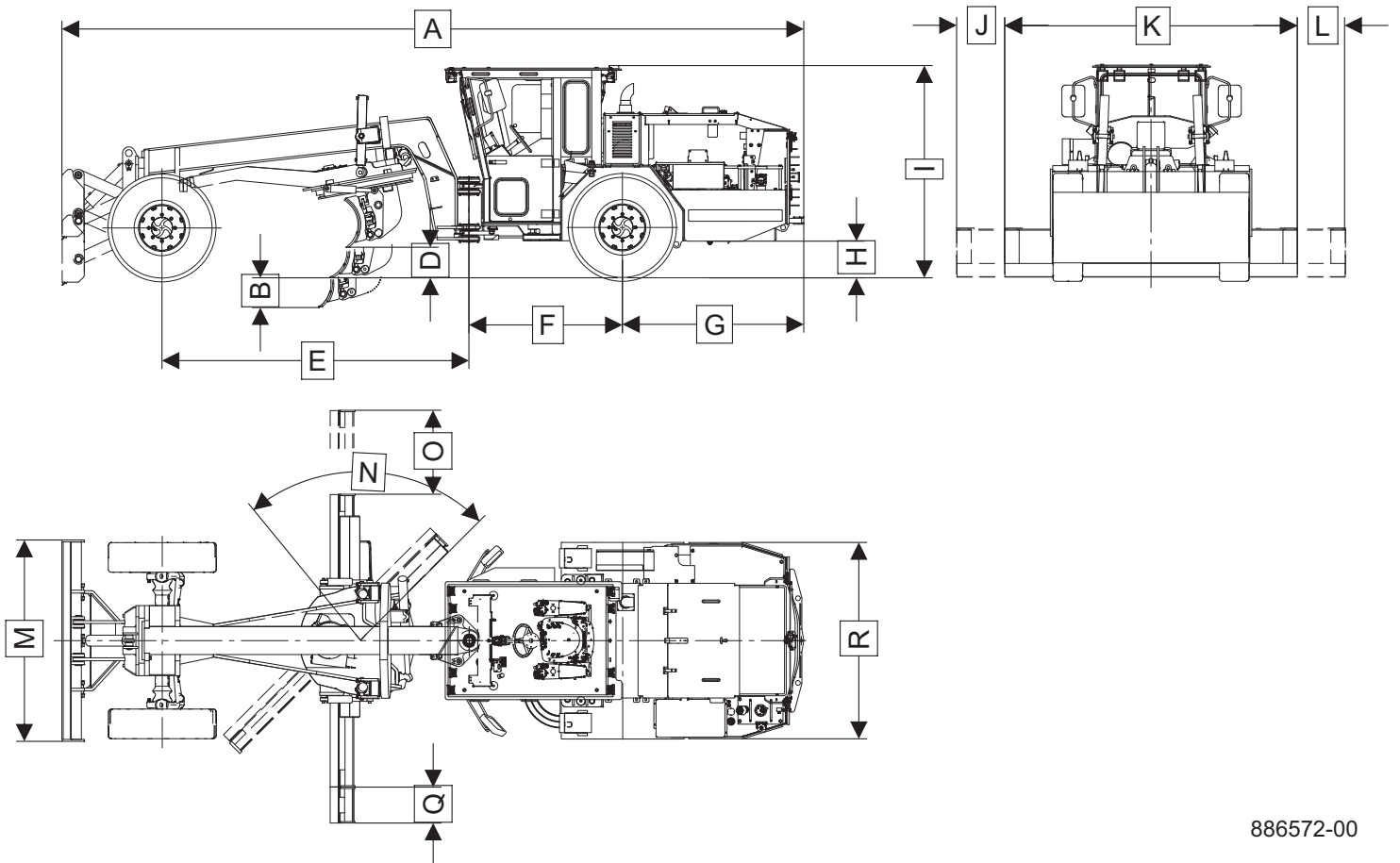
We attach great importance to a high level of availability of PAUS spare parts. In addition to maintenance and service parts, which are available at any time, customers and dealers are able to purchase spare parts for engines, axles, transmissions, etc. easily and quickly through us. Benefit from our on-line catalog with refined spare parts lists.

Technical data

5520-01-000 - 17.02.2025

DIMENSIONS

13551-2



886572-00

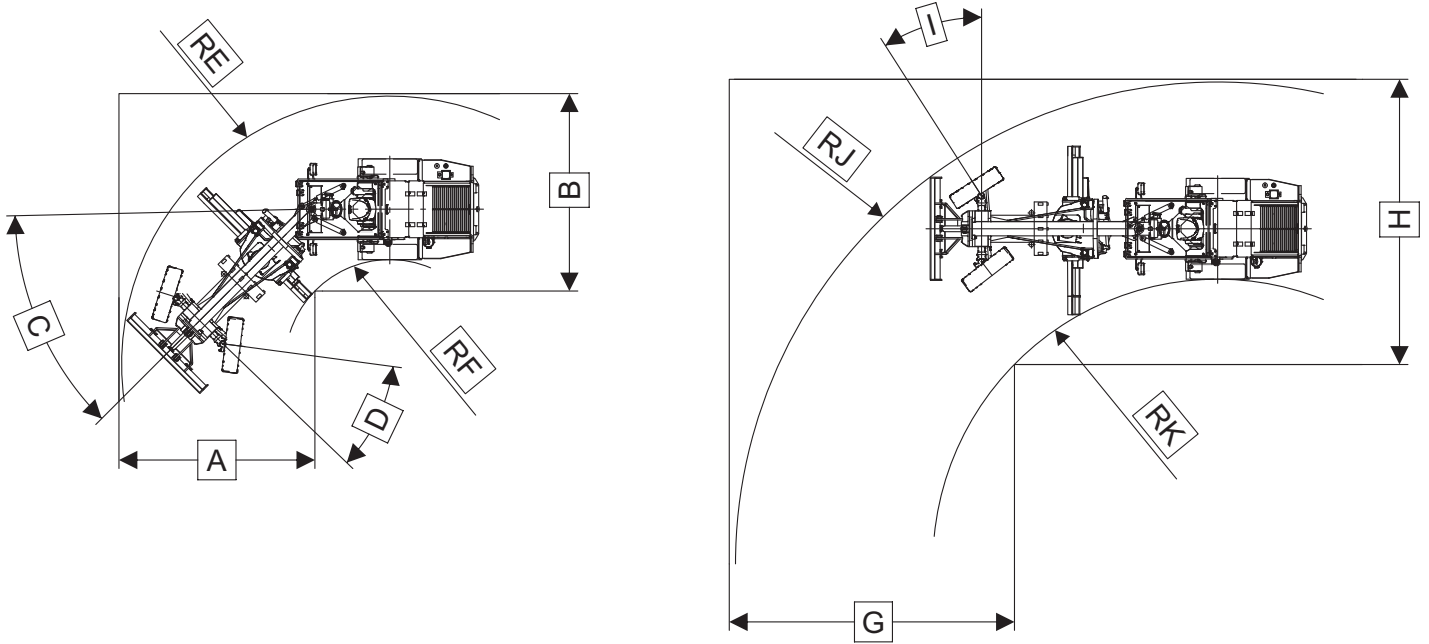
Dimension	Value	Unit
A	7,750	mm
B	310	mm
C	-	mm
D	315	mm
E	3,200	mm
F	1,600	mm
G	1,890	mm
H	390	mm
I	2,225	mm

Technical data

5520-01-000 - 17.02.2025

Dimension	Value	Unit
J	500	mm
K	3,054	mm
L	500	mm
M	2,100	mm
N	±45	°
O	875	mm
Q	375	mm
R	2050	mm

TURNING RADII



Dimension	Value	Unit
A	4000	mm
B	4000	mm
C	45	°
D	38	°
RE	5450	mm
RF	2100	mm
G	5800	mm
H	5800	mm
I	38	°

Technical data

5520-01-000 - 17.02.2025

Dimension	Value	Unit
RJ	9800	mm
RK	5800	mm